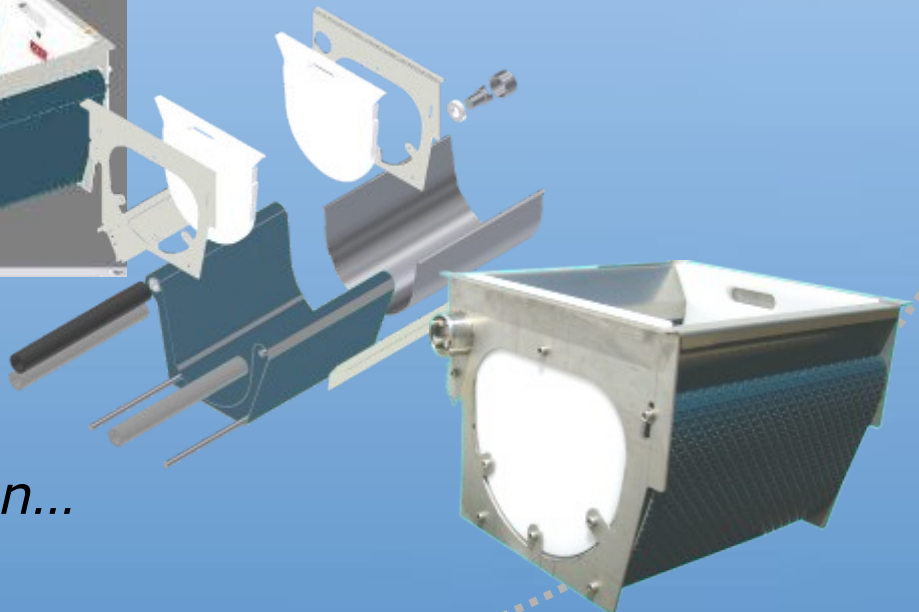
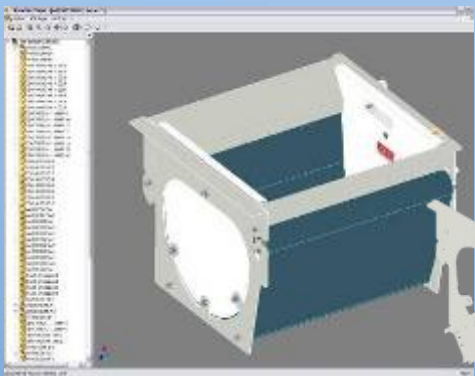


**ERI** industrial machines

*Design and  
manufacture*

*ERI is a manufacturer of equipments and machines that meet the specific needs of various industrial customers.*

The expertise, gained from 30 years of activity in the field of industrial machines, makes ERI a specialist regarding industrial equipments.



*From design...*

*...to production*

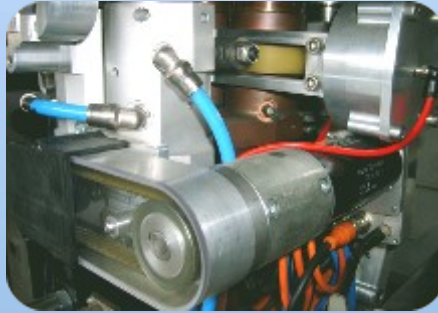
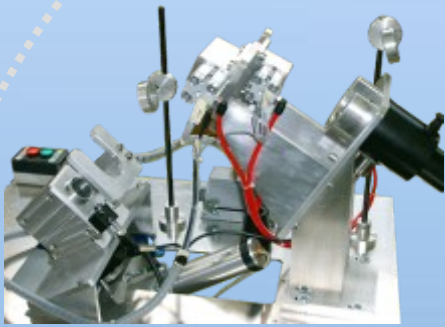
Production machinery and equipments, testing and control equipments, welding benches, butt welding machines, assembly lines, are for instance the types of equipments that ERI can provide.

# Our expertise

**ERI** industrial machines

## ***Industrial machines design and production:***

- Linear or circular automatic welding equipments (GTAW/TIG, GMAW/MIG, Resistance).
- Products tests and characterization equipments.
- Working stations.
- Metal sheet forming and shearing machines.
- Polishing machines.

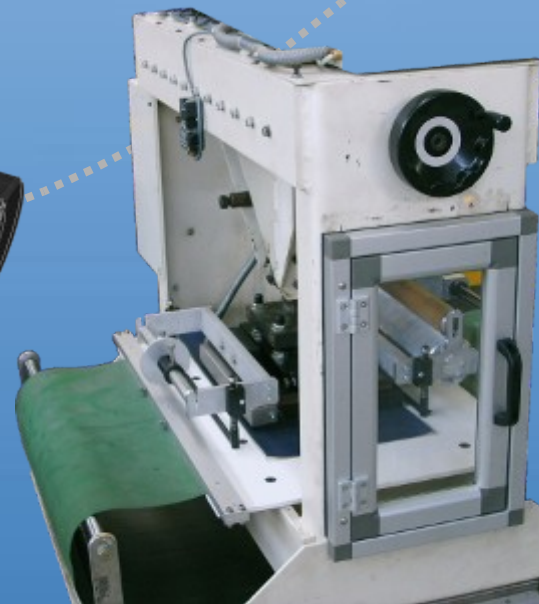
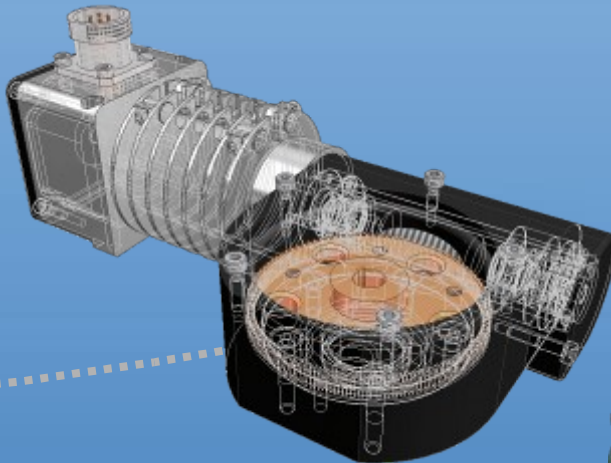


## ***Industrial equipments standards compliance (Co-operatively with specialized organisms):***

- On site diagnosis and intervention.
- Equipments and electrical boxes standards compliance.
- Protective and marking elements setting up.



## ***Prototypes research, design, production and finalizing.***

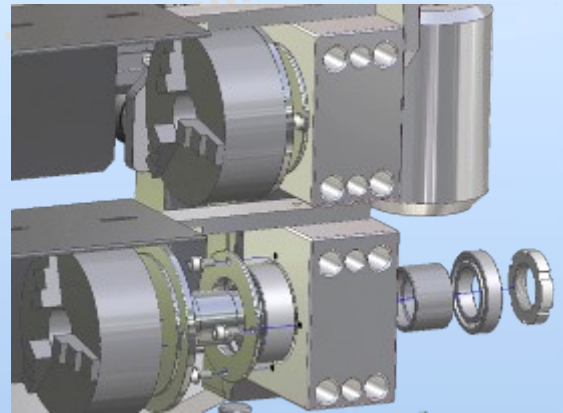


## ***Machines retrofitting.***

## ***On site maintenance and repairs.***

## **Research department :**

- Mechanical engineering
  - Workstations dedicated to 2D/3D mechanical design (AutoCAD, Autodesk Inventor).
  - Structural analysis software, with the finite element method.
  - Technical folders compiling.
- Electricity and Automatic devices
  - Electrical drawings.
  - Logic controllers programming (Schneider, Siemens...).
  - Technical folders compiling.



## **Production and assembly workshop:**

- Fitting and assembly.
- Machining.
- Metal work, steel / stainless steel / aluminum welding.
- Pneumatics, hydraulics.
- Wiring and automatic devices implementation.



## **Aspect treatment workshop:**

- *Burnishing* : Aspect and protection treatment (without matter deposit) on steel parts (machined and welded) (Max. 2900x250x350 mm or 700x700x350 mm – 80 kg).
- *Shot-peening* (Max. 400x400x400 mm – 25 kg).



Before After

# References, contact

**ERI** industrial machines

## They trust us :

- Shipyards.
- Aeronautic industry.
- Car industry.
- Geological research.
- Food industry.
- Printing industry.
- Fumes pipes industry.
- Schools.
- ...



## Geographic location :

North-east from Nantes, near A11 highway and the road to Paris:



**For all kind of information or price request, please contact us.**



18, rue de Bel-Air – ZI – CP 6306 – 44482 CARQUEFOU CEDEX – FRANCE

Tel: (+33)2 40 25 28 73 – Fax: (+33)2 40 25 28 94

Website : [www.eri-sas.com](http://www.eri-sas.com)

Contact / Price request : [contact@eri-sas.com](mailto:contact@eri-sas.com)